

DHW PRODUCTION TANKS

ELECTRIC VERSION

"GLASS LINED" RANGE - FROM 300 TO 3 000L



NEW



CE compliance
• 2014/68/UE
• 2014/35/UE



Reinforced thermal insulation



Standard and classic DHW version



Enamelled steel tank (WRAS)

DESCRIPTION

Tank

- Vertical enamelled steel tank with 3 feet.
- Capacity from 300 to 3 000L.
- Maximum working pressure = 7 bar.
- Test pressure = 10,5 bar.
- Tappings (in accordance with the following diagram).
- \varnothing 400 mm inspection manhole⁽¹⁾ (from 750 to 3 000L) or DN110 mm handhole (from 300 to 3000L).
- Magnesium protection anodes (2 to 4 according to capacity).

⁽¹⁾Note : Compliant with the recommendations of the French General Directorate for Health.

Internal coating (WRAS approved material)

- Tank enameled (in accordance with DIN 4753-3).
- MS520B Enamel Coating (WT = max 99°C).

Removable thermal insulation (including the inspection manhole and the bottom of the tank)

Fire proof rating : M1 (Euroclass B)

- High-performance mineral wool - 50 or 100 mm thick ($\lambda = 0,037$ W/m/K).
- Flexible PVC jacket.

Fire proof rating : M0 (Euroclass A2)

- Rockwool - 50 or 100 mm thick ($\lambda = 0,035$ W/m/K).
- Isoxal metal sheet jacket.

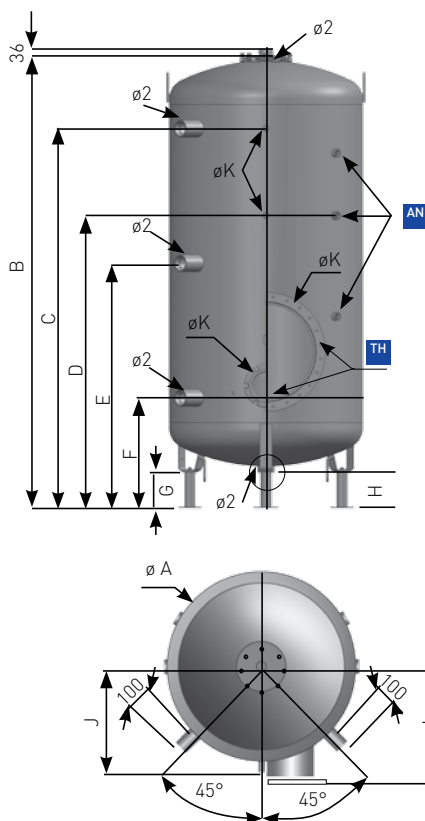
Options

- Electrical kits with immersion heating elements from 3 to 60 kW, depending on the capacity of the tanks.
- Electrical kits with steatite heating elements from 3 to 30 kW, depending on the capacity of the tanks.

Warranties (in accordance with our general conditions of sale)

- Tank = 5 years.
- Accessories = 1 year.

DIMENSIONS



Capacity (Litres)	Ø A (mm)	B (mm)	C (mm)	D (mm)	E (mm)	F (mm)	G (mm)	H (mm)	I (mm)	J (mm)
300	630	1 390	1 155	807	807	472	150	200	-	330
500	630	1 987	1 752	1 334	1 108	472	150	200	-	330
750	790	1 888	1 601	1 246	1 051	501	150	193	465	425
1 000	790	2 241	1 956	1 471	1 246	501	150	193	465	425
1 500	1 100	2 070	1 700	1 380	1 150	600	200	211	620	580
2 000	1 100	2 258	1 888	1 500	1 244	600	200	211	620	580
2 500	1 400	2 130	1 680	1 350	1 180	680	200	211	730	730
3 000	1 400	2 259	1 808	1 430	1 250	680	200	211	730	730

TH \varnothing 400 mm inspection manhole (de 750 à 3 000L) or DN110 mm handhole (from 300 to 3000L) with electrical kit.

AN 2 to 4 anodes according to model.

Capacity (Litres)	Weight with jacket (kg)
300	90
500	125
750	230
1 000	280
1 500	400
2 000	430
2 500	560
3 000	590

With electrical kits with immersion heaters

Capacity (litres)	Power (kW)	Reference with 50 mm-M1 jacket		Reference with 50 mm-M0 jacket	
		With Ø 400 mm manhole	With DN110 handhole	With Ø 400 mm manhole	With DN110 handhole
300	3	-	EME030M1B	-	EME030M0B
500	3	-	EME050M1B	-	EME050M0B
750	9	EME075M1V	EME075M1B	EME075M0V	EME075M0B
1 000	9	EME100M1V	EME100M1B	EME100M0V	EME100M0B
1 500	15	EME150M1V	EME150M1B	EME150M0V	EME150M0B
2 000	15	EME200M1V	EME200M1B	EME200M0V	EME200M0B
2 500	30	EME250M1V	EME250M1B	EME250M0V	EME250M0B
3 000	30	EME300M1V	EME300M1B	EME300M0V	EME300M0B

Capacity (litres)	Power (kW)	Reference with 100 mm-M1 jacket		Reference with 100 mm-M0 jacket	
		With Ø 400 mm manhole	With DN110 handhole	With Ø 400 mm manhole	With DN110 handhole
300	3	-	EME030M11B	-	EME030M01B
500	3	-	EME050M11B	-	EME050M01B
750	9	EME075M11V	EME075M11B	EME075M01V	EME075M01B
1 000	9	EME100M11V	EME100M11B	EME100M01V	EME100M01B
1 500	15	EME150M11V	EME150M11B	EME150M01V	EME150M01B
2 000	15	EME200M11V	EME200M11B	EME200M01V	EME200M01B
2 500	30	EME250M11V	EME250M11B	EME250M01V	EME250M01B
3 000	30	EME300M11V	EME300M11B	EME300M01V	EME300M01B

With electrical kits with steatite heating elements

Capacity (litres)	Power (kW)	Standard model with Ø 400 mm manhole			
		with 50 mm-M1 jacket	with 50 mm-M0 jacket	with 100 mm-M1 jacket	with 100 mm-M0 jacket
750	9	EMB075M1V	EMB075M0V	EMB075M11V	EMB075M01V
1 000	12	EMB100M1V	EMB100M0V	EMB100M11V	EMB100M01V
1 500	15	EMB150M1V	EMB150M0V	EMB150M11V	EMB150M01V
2 000	18	EMB200M1V	EMB200M0V	EMB200M11V	EMB200M01V
2 500	24	EMB250M1V	EMB250M0V	EMB250M11V	EMB250M01V
3 000	30	EMB300M1V	EMB300M0V	EMB300M11V	EMB300M01V

OPTIONS

Option	Reference
Dielectric connection	
1 dielectric connection 1" 1/2	RD40
1 dielectric connection 2"	RD50