

COMPACT DHW SYSTEMS WITH PLATE HEAT EXCHANGER "PREPAC"

"PREFERENCE" RANGE - FROM 500 TO 3 000L



CE compliance
 • 2014/68/UE
 • 2014/35/UE



Compact system with integrated plate heat exchanger



"RC" internal coating (WRAS approved material)



Inspection manhole

DESCRIPTION

Tank

- Vertical carbon steel tank with 3 feet.
- Capacity from 500 to 3 000L.
- Maximum working pressure = 7 bar - Test pressure = 10 bar.
- Tappings (in accordance with the following diagram).
- ø 400 mm inspection manhole⁽¹⁾.

⁽¹⁾Note : Compliant with the recommendations of the French General Directorate for Health.

Internal coating (WRAS approved material)

- Finished with "RC851" coating (Maximum temp = 85°C constant).
- Magnesium protection anode(s) with wear indicator.

External protection

- Anti-rust paint..

Removable thermal insulation (including the inspection manhole and the bottom of the tank)

Fire proof rating : M1 (Euroclass B)

- High-performance mineral wool - 60 mm thick ($\lambda = 0,032 \text{ W/m/K} - 32 \text{ kg/m}^3$).
- Flexible PVC jacket.

Fire proof rating : M0 (Euroclass A2)

- Rockwool - 50 mm thick ($\lambda = 0,034 \text{ W/m/K} - 40 \text{ kg/m}^3$).
- Isoxal metal sheet jacket.

Equipment

- Removable plate exchanger made of AISI 316 stainless steel.
- AISI 316 L stainless steel connection pipes.
- Secondary stainless steel circulator.
- Double safety thermostat 0/90°C.
- Exchanger/circulator insulation valve.

Options

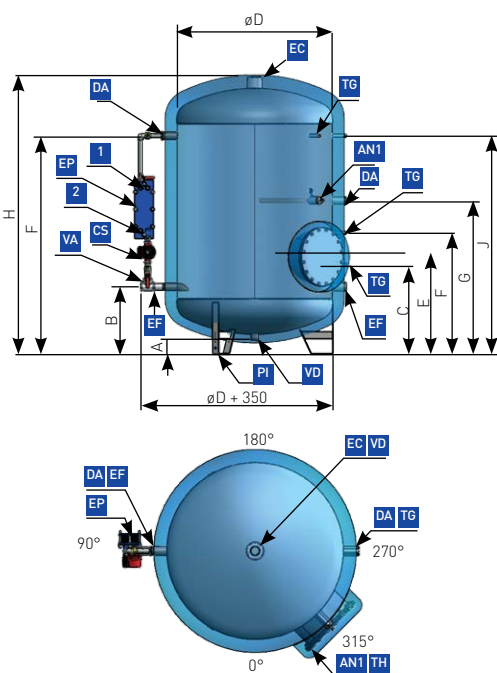
- Accessories kit (thermometer, DN25 safety valve, DN50 drainage valve, air vent valve).
- "RC951" finish (T-max = 95°C peak).
- Upon request : non-standard capacity, dimensions, working pressure and tappings implantation.

Warranties (in accordance with our general conditions of sale)

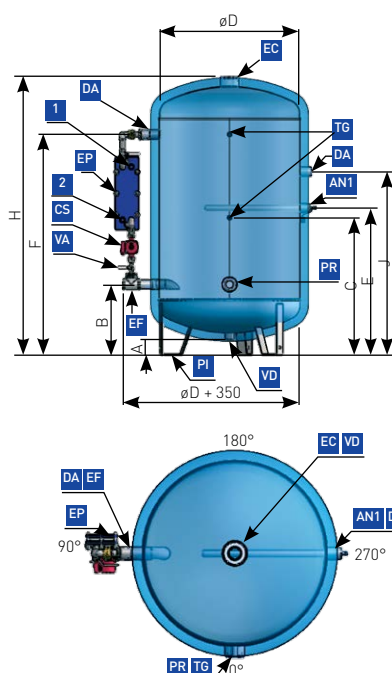
- Tank = 5 years. - Accessories = 1 year.

DIMENSIONS

With manhole



Without manhole



- AN1** Threaded tapping 40/49 for anode
- CS** Secondary circulator
- DA** Outlet/loop return
- EC** Hot water outlet
- EF** Cold water inlet
- EP** Plate exchanger (DN25 connection)
- PI** Support feet
- TG** Sleeves 15/21 for thermometers and thermostat
- TH** ø 400 mm inspection manhole
- VA** Isolating valve
- VD** Drainage DN50
- 1** Primary exchanger inlet
- 2** Primary exchanger outlet

Capacity (Litres)*	A (mm)	B (mm)	C (mm)	øD (mm)	øD+350 (mm)	E (mm)	F (mm)	G (mm)	H (mm)	J (mm)	TG (G int. thread)	EC-EF (G int. thread) DA-VM (G ext. thread)	Weight (kg)
500	90	410	560	650	1000	660	860	1030	1820	1420	DN15	DN50	140
750	90	440	590	800	1150	690	890	1060	1880	1450	DN15	DN50	175
1000	90	440	590	800	1150	690	890	1330	2430	2000	DN15	DN50	210

*Note : other models available upon request.

LACAZE ENERGIES reserves the right to modify at any time the characteristics and appearance of the material presented
 Documentation version : 07/2017

PLATE EXCHANGER

Exchanger power (kW)	Primary 90°C		Second. 10/55°C
	Flow rate (m³/h)	Δ p (mWC*)	Flow rate (m³/h)
41 ⁽¹⁾	1.26	2.90	0.79
49 ⁽¹⁾	1.26	1.69	0.94
66	2.02	2.70	1.26
77 ⁽¹⁾	2.12	2.12	1.48
87 ⁽¹⁾	2.41	2.70	1.66
94	2.59	3.10	1.80
100 ⁽¹⁾	2.52	2.20	1.91
106 ⁽¹⁾	2.48	1.67	2.02

Exchanger power (kW)	Primary 90°C		Second. 10/55°C
	Flow rate (m³/h)	Δ p (mWC*)	Flow rate (m³/h)
136 ⁽¹⁾	3.71	2.88	2.59
143 ⁽¹⁾	3.89	3.16	2.74
154	3.89	2.61	2.95
222 ⁽¹⁾	5.83	3.09	4.25
252	6.44	2.96	4.82
266 ⁽¹⁾	6.77	3.26	5.08
301 ⁽¹⁾	7.60	3.06	5.76
332	8.24	3.06	6.34

⁽¹⁾Note : other models available upon request.

*mWC = Meter of water column.

AVAILABLE MODELS AND PRICES

WITH manhole

Capacity (Litres)	Power (kW)	Reference with 60 mm-M1 jacket	Reference with 50 mm-M0 jacket
500	66	PRP05066M1	PRP05066M0
500	94	PRP05094M1	PRP05094M0
500	154	PRP05154M1	PRP05154M0
500	252	PRP05252M1	PRP05252M0
500	332	PRP05332M1	PRP05332M0
750	66	PRP07066M1	PRP07066M0
750	94	PRP07094M1	PRP07094M0
750	154	PRP07154M1	PRP07154M0
750	252	PRP07252M1	PRP07252M0
750	332	PRP07332M1	PRP07332M0
1 000H ⁽²⁾	66	PRP10066M1	PRP10066M0
1 000H ⁽²⁾	94	PRP10094M1	PRP10094M0
1 000H ⁽²⁾	154	PRP10154M1	PRP10154M0
1 000H ⁽²⁾	252	PRP10252M1	PRP10252M0
1 000H ⁽²⁾	332	PRP10332M1	PRP10332M0

Without manhole

Capacity (Litres)	Power (kW)	Reference with 60 mm-M1 jacket	Reference with 50 mm-M0 jacket
500	66	PRP05066M1V	PRP05066M0V
500	94	PRP05094M1V	PRP05094M0V
500	154	PRP05154M1V	PRP05154M0V
500	252	PRP05252M1V	PRP05252M0V
500	332	PRP05332M1V	PRP05332M0V
750	66	PRP07066M1V	PRP07066M0V
750	94	PRP07094M1V	PRP07094M0V
750	154	PRP07154M1V	PRP07154M0V
750	252	PRP07252M1V	PRP07252M0V
750	332	PRP07332M1V	PRP07332M0V
1 000H ⁽²⁾	66	PRP10066M1V	PRP10066M0V
1 000H ⁽²⁾	94	PRP10094M1V	PRP10094M0V
1 000H ⁽²⁾	154	PRP10154M1V	PRP10154M0V
1 000H ⁽²⁾	252	PRP10252M1V	PRP10252M0V
1 000H ⁽²⁾	332	PRP10332M1V	PRP10332M0V

⁽²⁾Note : H = High version.

OPTIONS

Reference	Description
KA1S	Accessories kit - DN25 safety valve calibrated at 7-bar - Brass dial thermometer 0/120 C deg - DN50 drainage valve - Air vent valve