

# 3-PORT MOTORIZED DIVERTER VALVE, TYPE VS

Technical datasheet Nr 71



## DESCRIPTION:

### Actuator

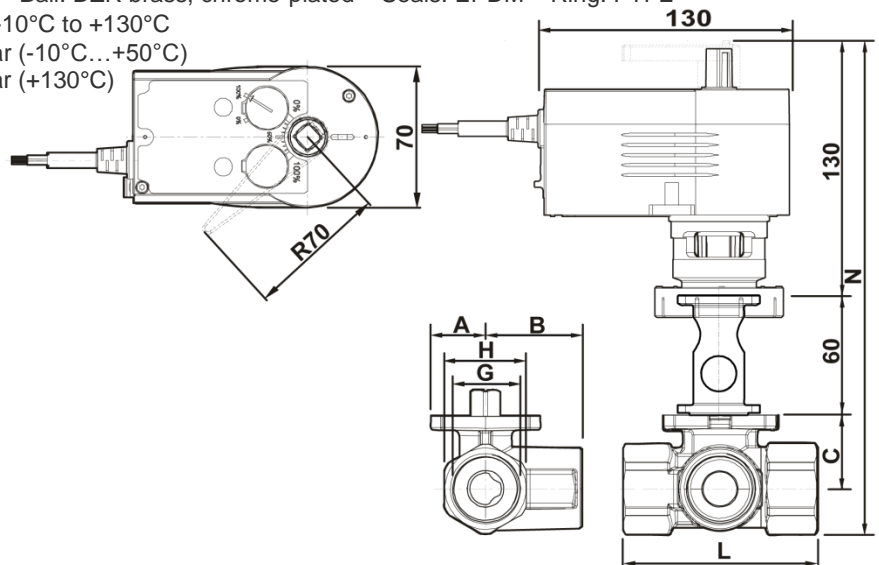
- Actuation time: 30 s / 90°
- Operation mode: Diverter – ON-OFF control, 2-/3- point control
- Power supply: 230 V~
- Power cable: 3 x 0.75 mm<sup>2</sup> – L = 1.2 m
- Protection type: IP 54 (EN 60529)
- Protection class: II (IEC 60730)
- Auxiliary switch
- Simple manual operation (for commissioning or maintenance operations)

### Valve

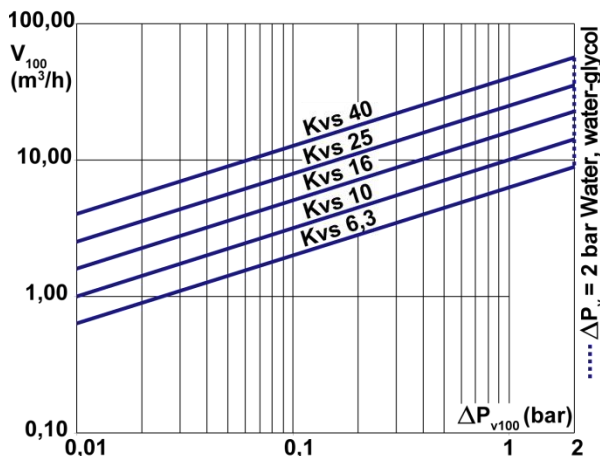
- Body with spindle: DZR brass – Ball: DZR brass, chrome-plated – Seals: EPDM – Ring: PTFE
- Operating temperature range: -10°C to +130°C
- Max. operating pressure: 40 bar (-10°C...+50°C)  
35 bar (+130°C)

## DIMENSIONS:

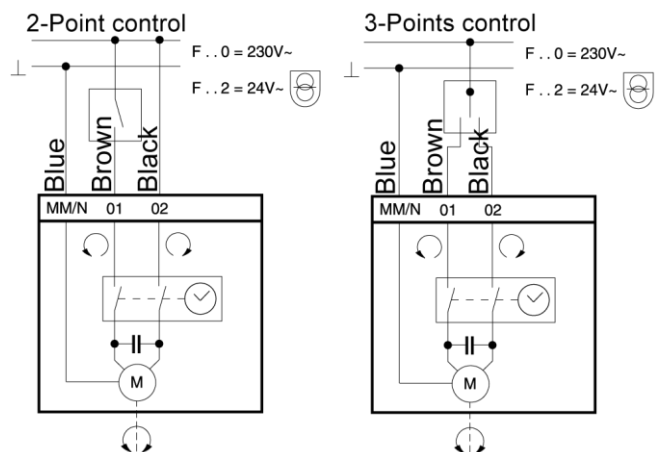
Size	DN20	DN25	DN32	DN40	DN50
A	21	21	24	28	34
B	37	45	53	57	69
C	28	31	34	40	53
L	72	85	99	110	131
G	3/4"	1"	1"1/4	1"1/2	2"
H	31	39	48	55	67
N	235	243	250	260	279



## PRESSURE DROP CURVES:



## ELECTRICAL DIAGRAM:



## AVAILABLE MODELS:

Reference	Designation
70010120480	3-port motorized diverter ON-OFF valve Type VS DN20 Kvs6,3
70010120481	3-port motorized diverter ON-OFF valve Type VS DN25 Kvs10
70010120482	3-port motorized diverter ON-OFF valve Type VS DN32 Kvs16
70010120483	3-port motorized diverter ON-OFF valve Type VS DN40 Kvs25
70010120484	3-port motorized diverter ON-OFF valve Type VS DN50 Kvs40