

# 3-PORT MOTORIZED DIVERTER VALVE, TYPE VR

Technical datasheet Nr 27

## DESCRIPTION:

### Actuator

- Actuation time: 18 s / 90°
- Operation mode: Diverter – ON-OFF control, 2-point control
- Power supply: 230 V~
- Power cable: 4 x 0.5 mm<sup>2</sup> – L = 2.0 m
- Protection type: IP 44 (IEC 60529)
- Protection class: II (EN 60335-1)
- Auxiliary switch limit: 1 A
- Simple manual operation (for commissioning or maintenance operations)

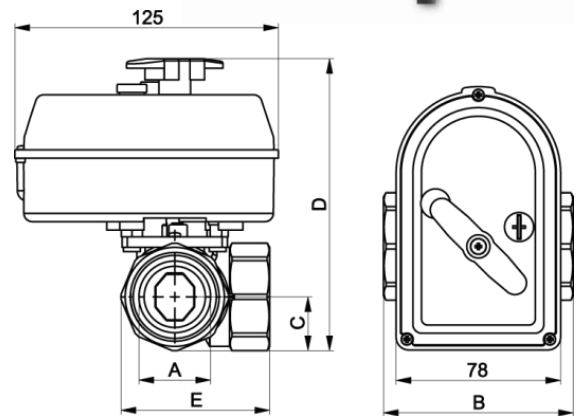
### Valve

- Rotor with axle: Brass – Seals: EPDM – For reduction of axle friction: PA-plate
- Operating temperature range: +2°C to +110°C
- Maximum operating pressure: 6 bar

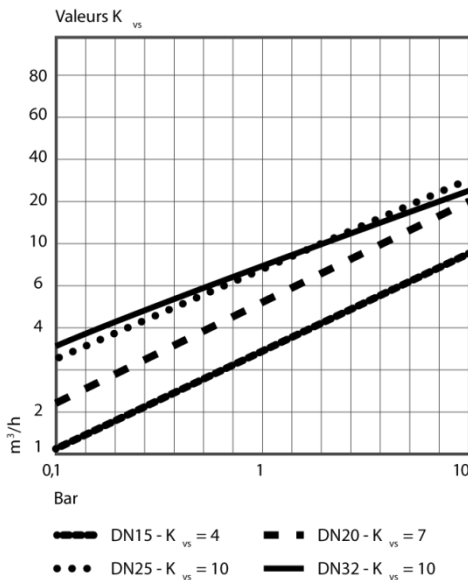


## DIMENSIONS:

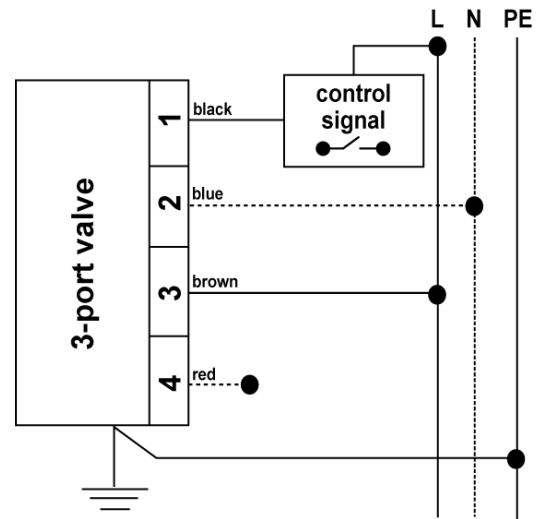
Size	DN20	DN25	DN32
A	3/4"	1"	1"1/4
B	72	90	90
C	17.5	20.8	25.5
D	130.5	133.8	138
E	54	66	70.5



## PRESSURE DROP CURVES:



## ELECTRICAL DIAGRAM:



## AVAILABLE MODELS:

Reference	Designation
70010120020	3-port motorized diverter ON-OFF valve Type VR DN20 Kvs7
70010120019	3-port motorized diverter ON-OFF valve Type VR DN25 Kvs10
70010120473	3-port motorized diverter ON-OFF valve Type VR DN32 Kvs10