

HOT WATER STORAGE TANKS "CALEO L"

RECOVERY AND/OR BACK-UP - STEEL TANK - FROM 500 TO 4 000L



CE compliance
• 2014/68/UE



Raccordements optimisés



Carbon steel tank



Solar hot water

DESCRIPTION

Tank

- Vertical carbon steel tank with 3 feet.
- Capacity from 500 to 4 000L.
- Maximum working pressure = 7 bar - Test pressure = 10 bar.
- Tappings (in accordance with the following diagram).

External protection

- Anti-rust paint.

Removable thermal insulation (y compris fond inférieur)

Fire proof rating : M1 (Euroclass B)

- Mineral wool - 100 mm thick.
- Flexible PVC jacket.

Fire proof rating : M0 (Euroclass A2)

- Rockwool - 100 mm thick.
- Isoxal metal sheet jacket.

Options electrical backup

- Immersion heater fixing on the tank.
- Reinforced 825 incoloy resistor(s).
- Temperature control :
 - Electrical power ≤ 20 kW : Three-phase control/safety box 30 A, 400 V, fitted to the top of the immersion heater (double safety thermostat + connected switch).
 - Electrical power > 20 kW : Double unipolar safety thermostat.

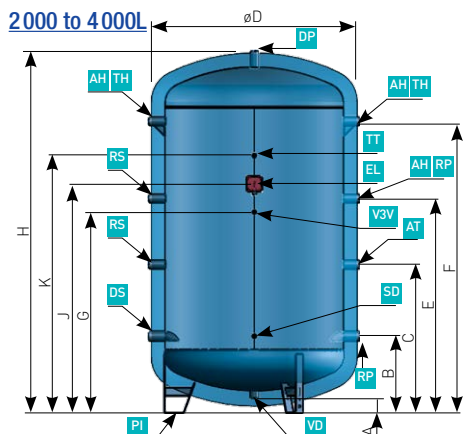
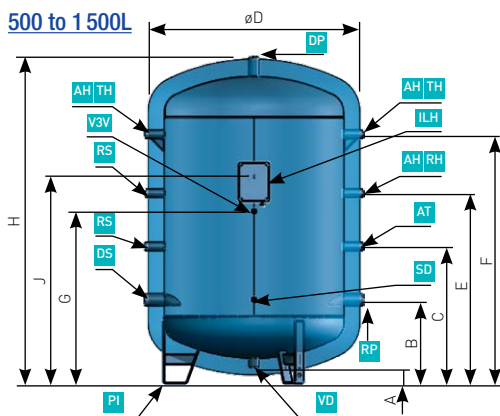
Other options

- ø 400 mm inspection manhole (from 500L).
- Accessories kit (thermometer -30/+50°C, DN25 safety valve, degasser, DN50 valve for drainage).
- Upon request : non-standard capacity, dimensions, working pressure and tappings implantation.

Warranties (in accordance with our general conditions of sale)

- Tank = 5 years. (against perforation, used in a pressurised closed circuit only).
- Electrical equipment and accessories = 1 year.

DIMENSIONS



Cap. (litres)	RS - RP (G int. thread)	ST1 - ST2 - ST3 TT (G int. thread)	AT - TH (G ext. thread)	EL - ILH (threaded)	VD - DP (G ext. thread)	Poids (kg)
500	DN50	DN15	DN40	DN50	DN50	120
750	DN50	DN15	DN40	DN50	DN50	155
1 000 ⁽¹⁾	DN50	DN15	DN40	DN50	DN50	170
1 000B ⁽¹⁾	DN50	DN15	DN40	DN50	DN50	200
1 500 ⁽¹⁾	DN50	DN15	DN40	DN50	DN50	235
1 500B ⁽¹⁾	DN50	DN15	DN40	DN50	DN50	270
2 000 ⁽¹⁾	DN50	DN15	DN50	M77	DN50	335
2 000B ⁽¹⁾	DN50	DN15	DN50	M77	DN50	380
2 500	DN50	DN15	DN50	M77	DN50	410
3 000	DN50	DN15	DN50	M77	DN50	440
4 000	DN50	DN15	DN50	M77	DN50	645

Cap. (litres)	ØD (mm)	A (mm)	B (mm)	C (mm)	E (mm)	F (mm)	G (mm)	H (mm)	J (mm)	K (mm)
500	650	90	410	735	1 060	1 420	950	1 820	1 160	-
750	800	90	440	765	1 090	1 450	980	1 880	1 190	-
1 000 ⁽¹⁾	800	90	440	960	1 440	2 000	1 340	2 430	1 550	-
1 000B ⁽¹⁾	950	90	475	800	1 125	1 485	1 015	1 950	1 225	-
1 500 ⁽¹⁾	950	90	475	995	1 475	2 035	1 375	2 500	1 585	-
1 500B ⁽¹⁾	1 100	90	510	835	1 160	1 520	1 050	2 020	1 260	-
2 000 ⁽¹⁾	1 100	90	510	1 030	1 510	2 070	1 410	2 560	1 610	1 810
2 000B ⁽¹⁾	1 300	90	560	885	1 210	1 570	1 100	2 110	1 305	1 510
2 500	1 300	90	560	970	1 375	1 820	1 290	2 360	1 495	1 700
3 000	1 300	90	560	1 080	1 560	2 120	1 460	2 660	1 665	1 870
4 000	1 500	90	630	1 100	1 560	2 065	1 460	2 780	1 695	1 930

⁽¹⁾Note : H = High version ; B = Low version.

- AH/TH Hydraulic backup or thermometer
- AH/RP Hydraulic backup or PLAKÉO return
- AT Use depending on application
- DP PLAKÉO outlet
- DS Solar outlet
- PI Support feet
- RP PLAKÉO return
- RS Solar return
- SD Solar probe (PT 100/1000)
- V3V Sensor for 3-way solar valves and PLAKÉO
- VD Drainage

- EL Electric immersion heater 15-35 kW
- ILH Integrated loop return (thermostat + electric immersion heater)
- TT Thermostat

available as an optional extra for electric backup:

AVAILABLE MODELS AND PRICES

Capacity (litres)	Reference with 100 mm-M1 jacket	Reference with 100 mm-M0 jacket
500	ECL050M11	ECL050M01
750	ECL075M11	ECL075M01
1 000H ⁽¹⁾	ECL100M11H	ECL100M01H
1 000B ⁽¹⁾	ECL100M11B	ECL100M01B
1 500H ⁽¹⁾	ECL150M11H	ECL150M01H
1 500B ⁽¹⁾	ECL150M11B	ECL150M01B
2 000H ⁽¹⁾	ECL200M11H	ECL200M01H
2 000B ⁽¹⁾	ECL200M11B	ECL200M01B
2 500	ECL250M11	ECL250M01
3 000	ECL300M11	ECL300M01
4 000	ECL400M11	ECL400M01

Electrical backup option

Capacity (litres)	Power (kW)	Reference WITH thermostat	Reference WITHOUT thermostat
500	6	AE6	AE6ST
750	6	AE6	AE6ST
1 000H ⁽¹⁾	9	AE9	AE9ST
1 000B ⁽¹⁾	9	AE9	AE9ST
1 500H ⁽¹⁾	12	AE12	AE12ST
1 500B ⁽¹⁾	12	AE15	AE15ST
2 000H ⁽¹⁾	15/20	AE15 / AE20	AE15ST / AE20ST
2 000B ⁽¹⁾	15/20	AE15 / AE20	AE15ST / AE20ST
2 500	20	AE20	AE20ST
3 000	24 / 30 / 35	AE24 / AE30 / AE35	AE24ST / AE30ST / AE35ST
4 000	35	AE35	AE35ST

⁽¹⁾Note : H = High version ; B = Low version.

OPTIONS

Reference	Description
KA1S	Accessories kit - DN25 safety valve calibrated at 7-bar - Brass dial thermometer 0/120 C deg - DN50 drainage valve - Air vent valve